

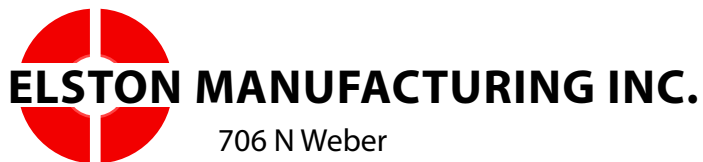
ELSTON

Gopher Getters



Parts List for GA-400

Another Quality Product of:



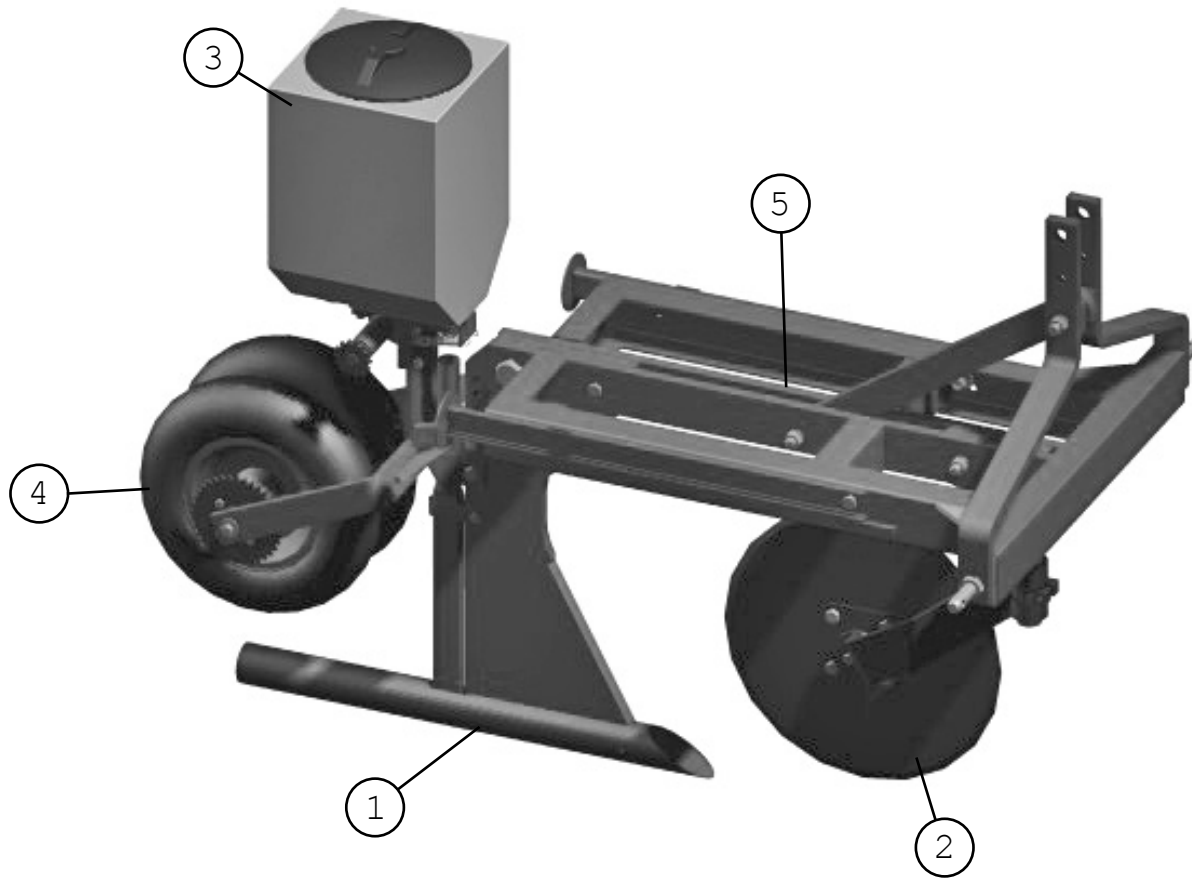
ELSTON MANUFACTURING INC.

706 N Weber
Sioux Falls, SD 57103
www.elstonmfg.com
1-800-845-1385

Please Contact Us for Parts and Service:

WILCO DISTRIBUTORS, INC.
P.O. BOX 291
LOMPOC. CA 93438
WWW.WILCODISTRIBUTORS.COM
1-800-769-5040

Form G-312-C
Printed 2008

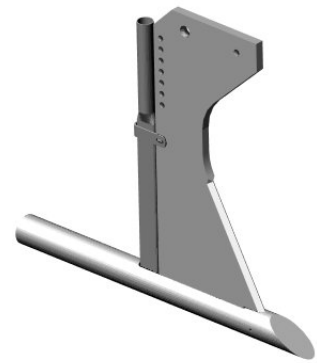
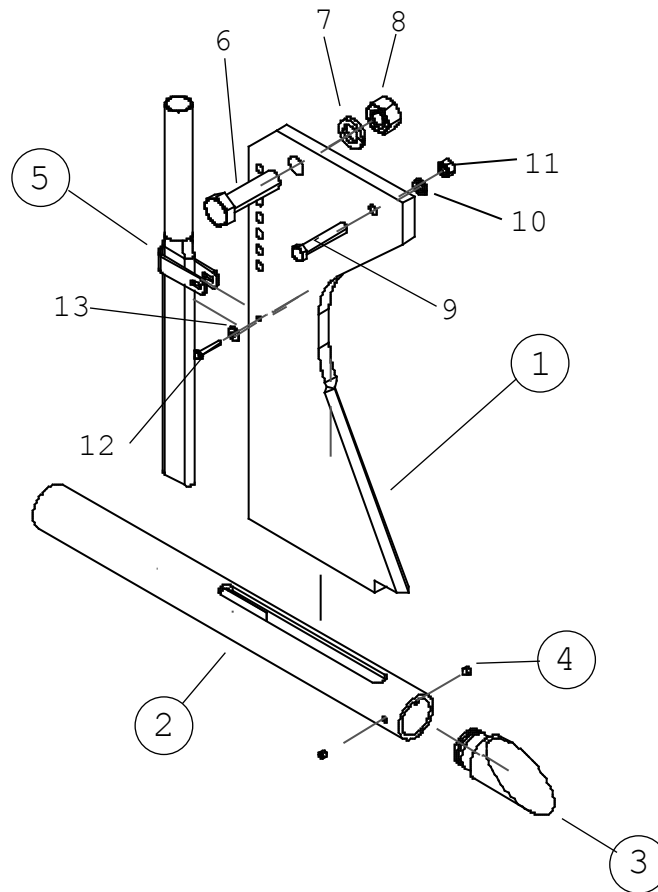


Assemblies

Common Parts

Ref #	Name	Page #	Name	Part #	Page #
1	Knife Assembly	1-2	Torpedo Point	G1-105	1-2
2	Coulter Assembly	1-3	Coulter Blade - 18"	G2-370	1-3
3	Seeder Assembly	1-4	Tire	G3-125	1-5
4	Packer Wheel Assembly	1-5	Tripper	G4-269	1-4
5	Frame Assembly	1-6	Knife Assembly (Complete)	G1-100	1-2

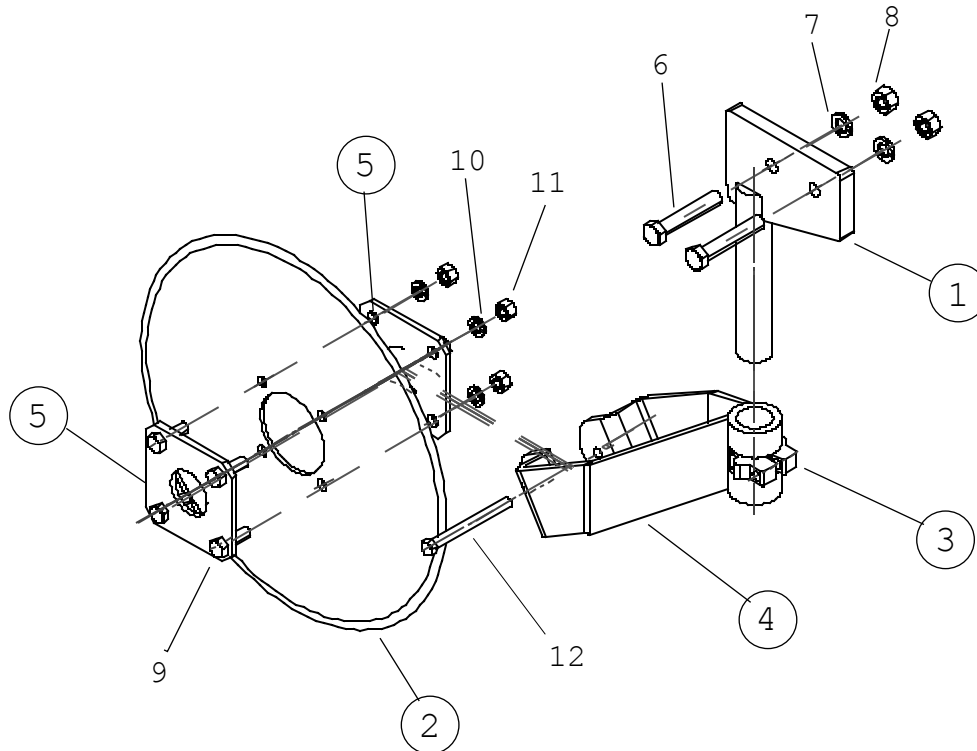
All parts under the header Description** can be bought at your local hardware store.



Ref #	Name	Part #	Ref #	Description**
1	Knife	G1-103	6	1" x 3 1/2" Hex Head Bolt
2	Torpedo Tube	G1-104	7	1" Lock Washer
3	Torpedo Point	G1-105	8	1" Hex Nut
4	3/8" Set Screw	G1-143	9	1/2" x 3" Hex Head Bolt (Grade 2)*
5	Seeder Tube	G1-193	10	1/2" Lock Washer
1,2,3,	Knife Assembly (complete)	G1-100	11	1/2" Hex Nut
4,5			12	1/4" x 1 1/2" Hex Head Bolt
			13	1/4" Flat Washer (One Not Shown)
			14	1/4" Lock Washer (Not Shown)
			15	1/4" Hex Nut (Not Shown)

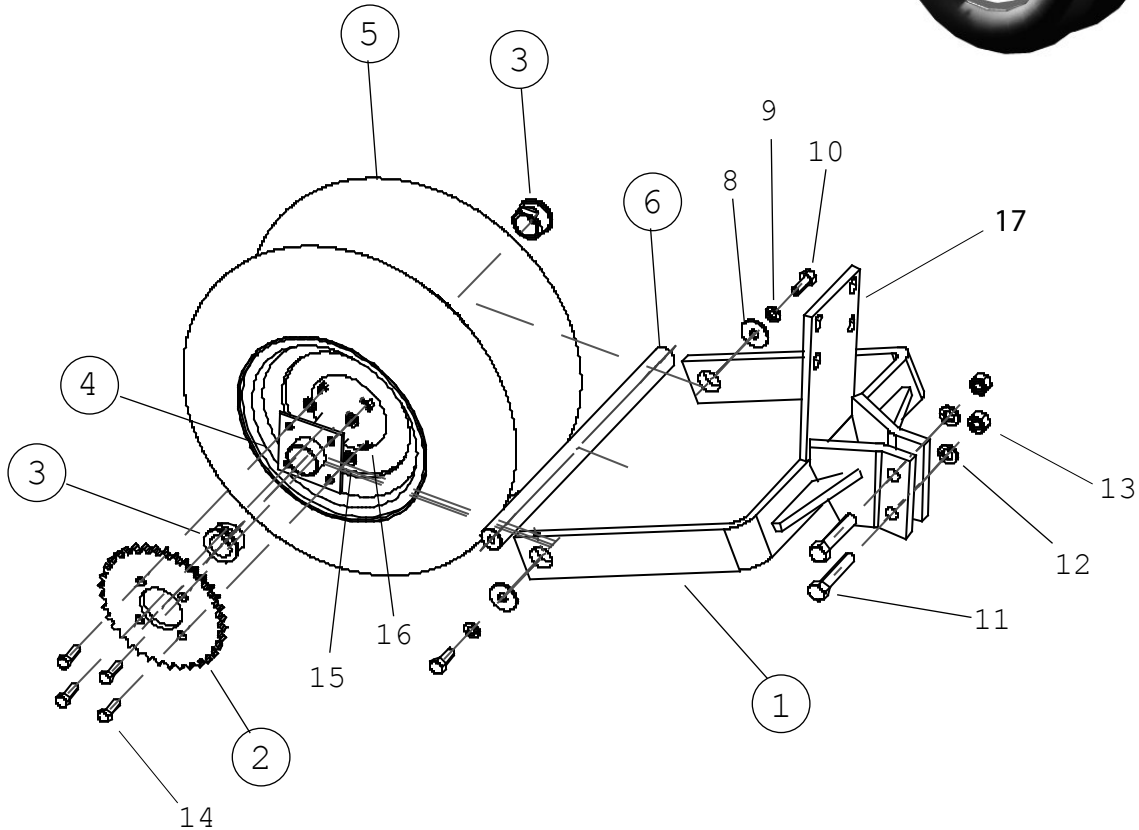
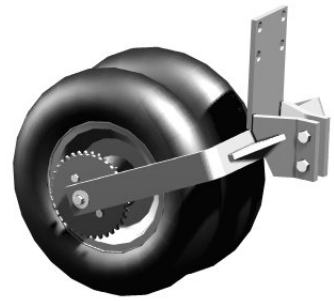
* This bolt must be grade 2 (or softer). It is designed as a shear bolt to prevent damage when hitting underground obstructions. Using a harder bolt could result in expensive repairs.

** Bought at your local hardware store.



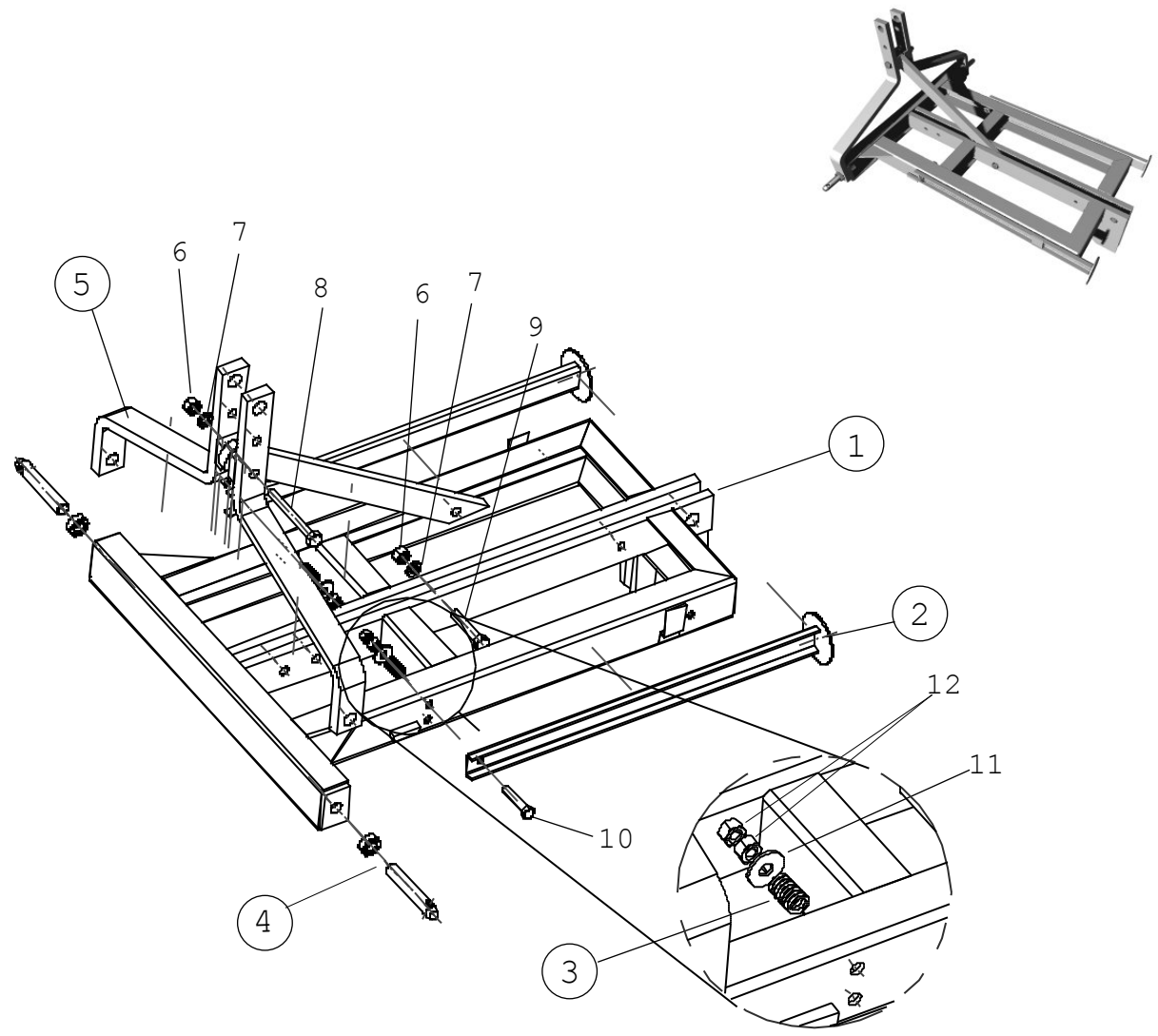
Ref #	Name	Part #	Ref #	Description**
1	Coulter Shank	G2-326	6	5/8" x 3 1/2" Hex Head Bolt
2	Coulter Blade - 18"	G2-370-18	7	5/8" Lock Washer
	Coulter Blade - 22"	G2-370-22	8	5/8" Hex Nut
3	Coulter Clamp	G2-375	9	1/2" x 1 1/2" Hex Head Bolt
4	Coulter Side - 18"	G2-380-18	10	1/2" Lock Washer
	Coulter Side - 22"	G2-380-22	11	1/2" Hex Nut
5,12-14	Blade Hub Assembly	G2-379	12	7/16"-20 4 1/2" Hex Head Bolt
	see p. 3-1 for individual parts also included in assembly		13	7/16" Lock Washer (Not Shown)
2-5,	Coulter Blade Assembly		14	7/16" Hex Nut (Not Shown)
9-14	18"	G2-100-18		
	22"	G2-100-22		

** Bought at your local hardware store.



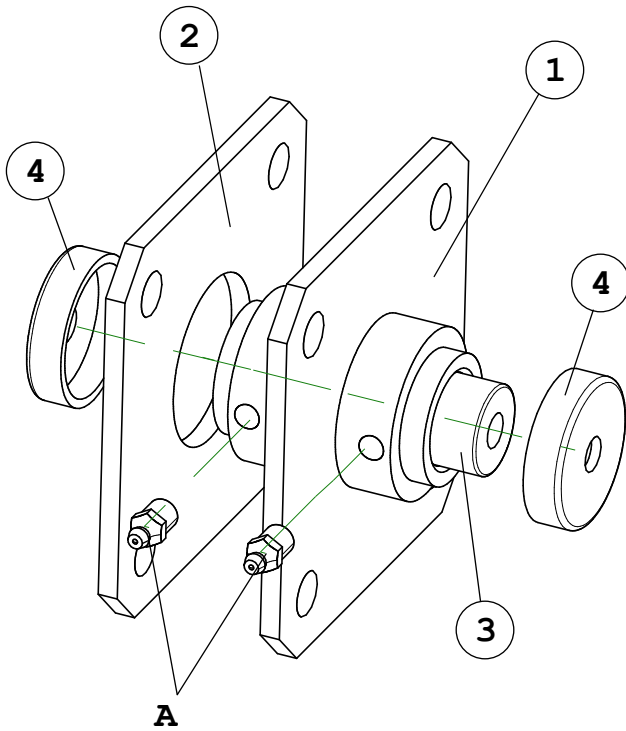
Ref #	Name	Part #	Ref #	Description**
1	Packer Wheel Bracket	G3-292	8	3/8" x 1 3/4" Fender Washer
2	Large Sprocket	G3-283	9	3/8" Lock Washer
3	Axle Bushing	G3-324	10	3/8"-16 x 1" Hex Head Bolt
4	Packer Wheel Base	N/A	11	1/2" x 2 1/2" Hex Head Bolt
5	Packer Wheel Tire	G3-125	12	1/2" Lock Washer
6	Packer Wheel Inner Axle	G3-177	13	1/2" Hex Nut
7	Chain (Not Shown)	G3-321	14	5/16" x 1" Hex Head Bolt
3,4,5	Packer Wheels w/Tires	G3-120	15	5/16" Lock Washer
3,4	Packer Wheels No Tires	G3-121	16	5/16" Hex Nut
1-10, 14-16	Packer Wheel Assembly	G3-100	17	Use bolts on pg 1-4 Ref #14 to attach Packer Wheel Assembly to Seeder Assembly

** Bought at your local hardware store.



Ref #	Name	Part #	Ref #	Description**
1	Frame	Call	6	5/8" Hex Bolt
2	Leg	G5-254	7	5/8" Lock Washer
3	Leg Spring	G5-257	8	5/8" x 5" Hex Head Bolt
4	Cat 1 Lower Link Pin	G5-255	9	5/8" x 3 1/4" Hex Head Bolt
5	3-Point Frame	Call	10	1/2" x 2 1/2" Hex Head Bolt
			11	1/2" Flat Washer
			12	1/2" Hex Nut

Coulter Hub Assembly (G2-379)



Label	Name	Part #
1	Blade Flange w/ Hub	G2-381
2	Blade Flange	G2-382
3	Inner Bearing	G2-383
4	Bearing Cap	G2-384
A**	1/4"-28 SAE-LT Grease Fitting	N/A

Label on page 1-3	Name
12**	7/16"-20 4 1/2" Hex Head Bolt
13**	7/16" Lock Washer
14**	7/16"-20 Hex Nut

Label No. 1, 2, 3, and 4 can be bought individually.

** Bought at your local hardware store.